

MODEL VTM

The VTM is used in conjunction with the VorTek® Transmitter to provide a local airflow volume display and USB communication port which connects directly to the VorTek Transmitter. The VTM is offered with standard cable lengths up to 100' to ensure the VTM can be mounted in a convenient location that is easily accessible. The VTM is provided with 2 mounting screws for securing to a standard single-gang electrical box.

VTM-□□□-□

CABLE LENGTH

- 25' Cable = **025**
- 50' Cable = **050**
- 75' Cable = **075**
- 100' Cable = **100**

CABLE TYPE

- Blank** = Plenum Rated, for use with Standard Transmitter
- N** = Waterproof Cable, for use with NEMA 4 Transmitter
(See Notes 2 and 3)

NOTE:

1. If a longer cable is required, please contact factory.
2. Waterproof factory cables of lengths 75' and 100' are constructed using a 50' M/F waterproof cable and either a 25' or 50' waterproof M/M cable. These cables require field connection.
3. VTM is not NEMA 4 rated. The watertight cable is used to ensure a watertight connection at the NEMA 4 Transmitter

SPECIFICATIONS

Electrical:

The VTM is powered by the VorTek Transmitter using a factory provided cable.

Temperature Range:

- Operating: -4°F to +158°F (-20°C to +70°C)
- Storage: -22°F to 176°F (-30°C to +80°C)

Physical Construction:

Metal plate with a black powder coating.

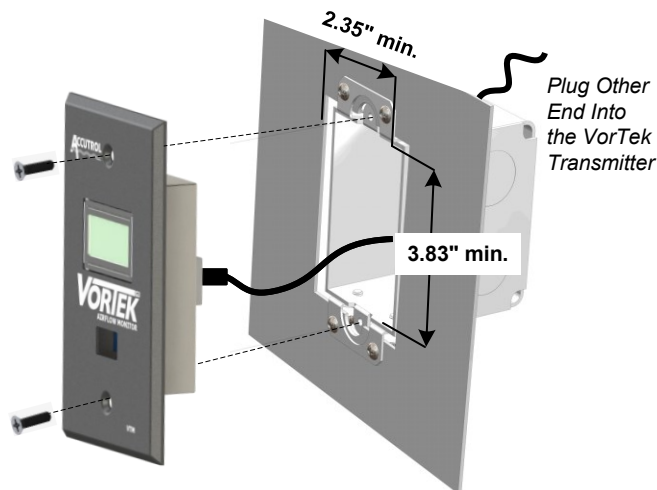
Mounting:

Installs directly into a standard single-gang electrical box.

Configuration Port:

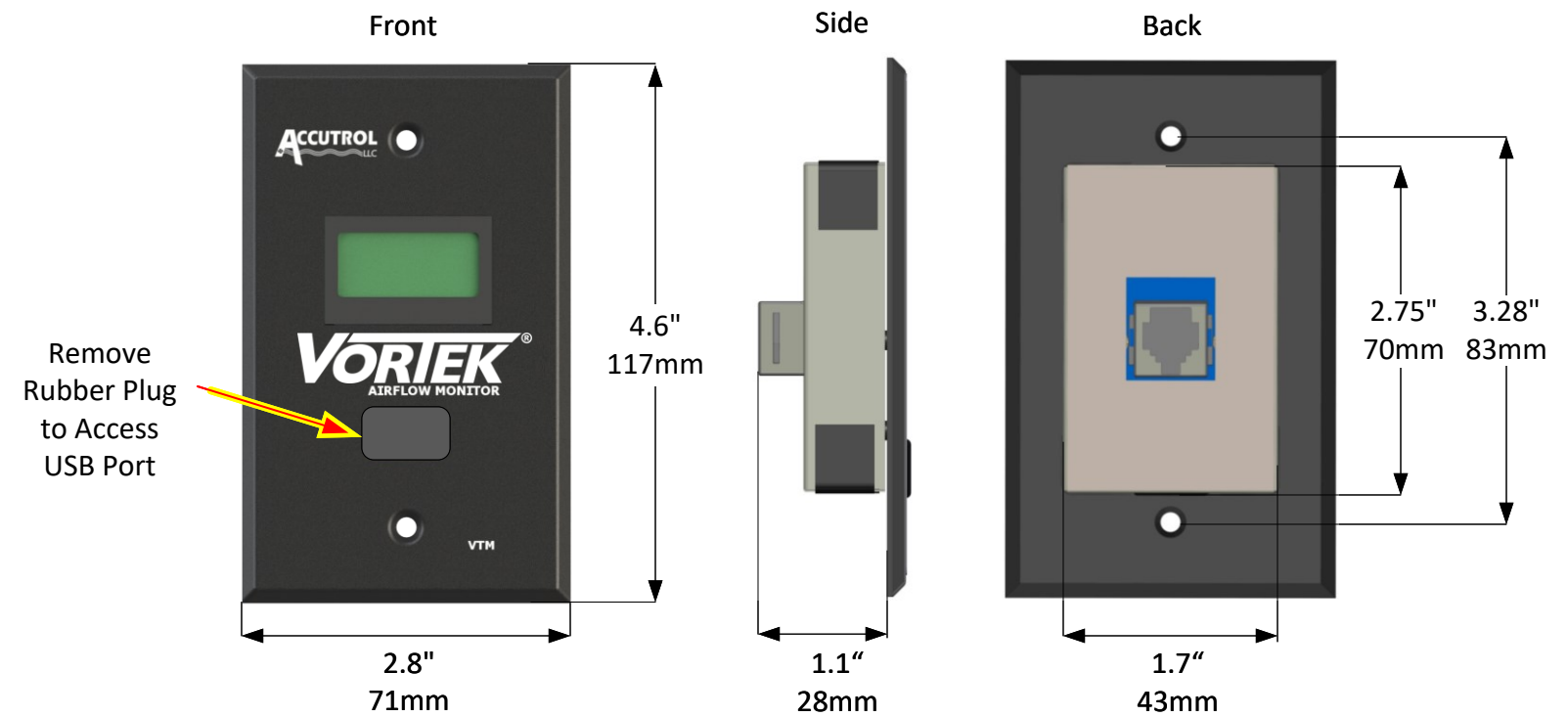
Easily accessible USB type C protected by removable rubber plug.

INSTALLATION



1. Feed the display cable thru the back of the electrical box.
2. Plug one end of the display cable into the RJ-45 connector located on the back of the VTM.
3. Plug the other end of the cable into the VorTek Transmitter Display Port.
4. Secure the VTM to the electrical box using the two screws provided.

DIMENSIONS



APPLICATION

Detail shown with standard transmitter enclosure

