

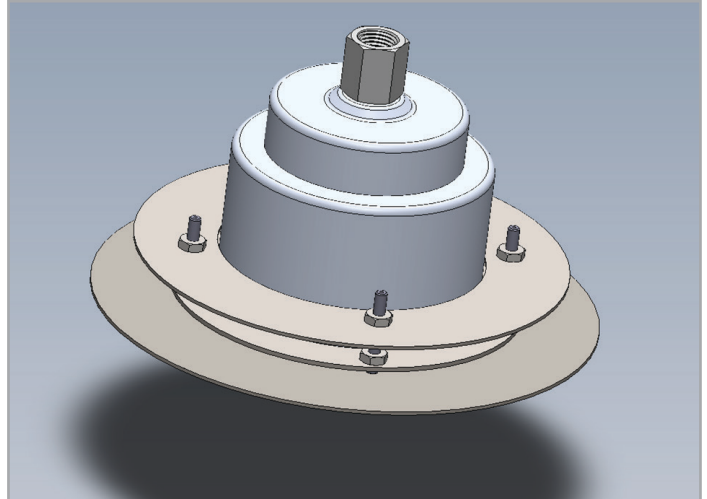


Static Pressure Probe

Features

- Engineered for Critical Environments
- Low Signal to Noise Ratio
- +/- 1% accuracy of Actual Pressure
- Recessed Ceiling Mounting Kit
- Compact Design
- Durable 316 SS

SPP7800-S



Description

The SPP7800-S is designed to suppress minor room or space pressurization pulsations, providing a steady accurate representation of the actual pressure in a critical space. The output stability of this probe is due to the multiple perpendicular pressure ports

making it impervious to cross drafts, combined with the averaging chamber; producing an instantaneous pressure signal. This pressure signal can be used as a controller input for differential pressure indication, or for a control signal to a room pressure controller.

Dimensional Data

