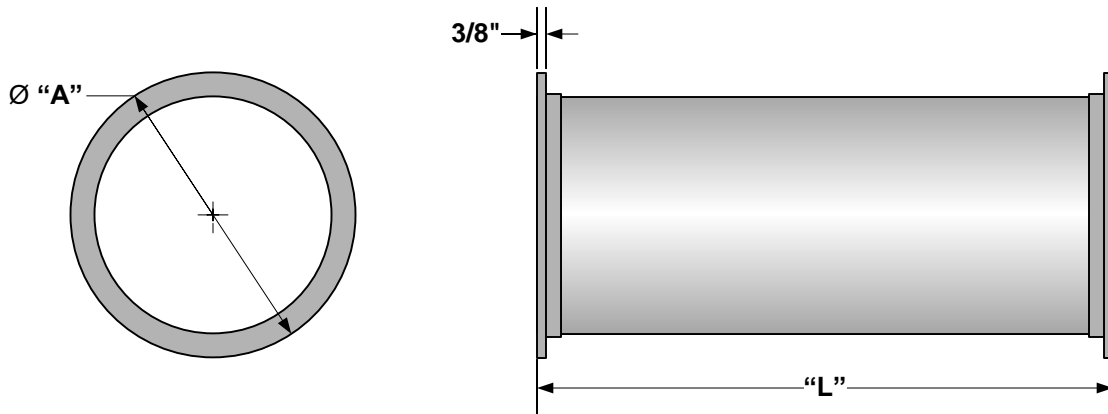


Flanges for Round AccuValves®

The AccuValve® can be ordered from the factory with optional flanges by adding a “-F” suffix to the model code. This data sheet identifies the flange specifications for round AccuValves and is intended to be used in conjunction with the standard AccuValve® submittal documentation.


DIMENSIONS



VALVE SIZE	"A" FLANGE O.D.		"L" VALVE LENGTH	
	inches	mm	inches	mm
06	7.65	194	22	560
08	9.65	245	24	610
10	11.65	296	24	610
12	13.65	347	27	685
14	15.65	398	30	760

FLANGE MATERIAL & CONSTRUCTION

The flange material is similar to the valve material specified by the AccuValve® model code. Aluminum flanges are factory-installed onto each end of the AccuValve® by means of TIG welding. Stainless Steel flanges are installed by resistance (spot) welding. Companion flanges are available separately.

 21 COMMERCE DRIVE DANBURY CT, 06810 Tel: 203-445-9991	SUBMITTAL DRAWING Flange Detail for Round AccuValve®			
	Sold By:			
THIS DOCUMENT IS SUBJECT TO CHANGE WITHOUT NOTICE.	SIZE B	FSCM NO	DWG NO FLANGE DETAIL – ROUND AV	REV C
THIS DOCUMENT OR THE CONTENTS THEREOF SHALL NOT BE MODIFIED WITHOUT PRIOR WRITTEN PERMISSION BY ACCUTROL LLC.	SCALE NTS	REV. DATE: 7-27-17	SHEET 1 OF 1	