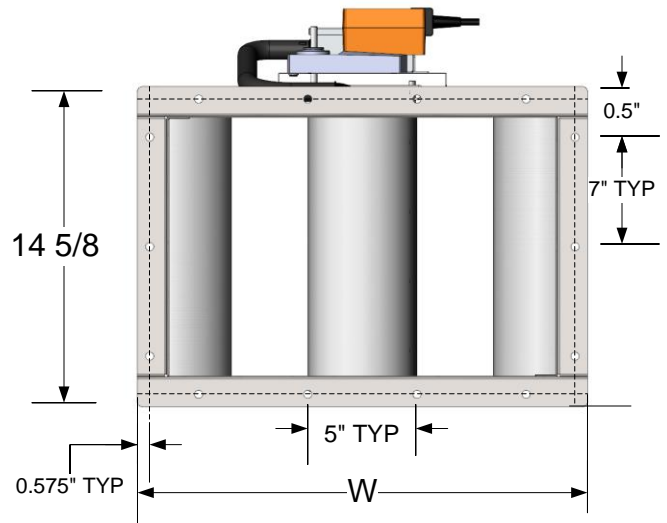
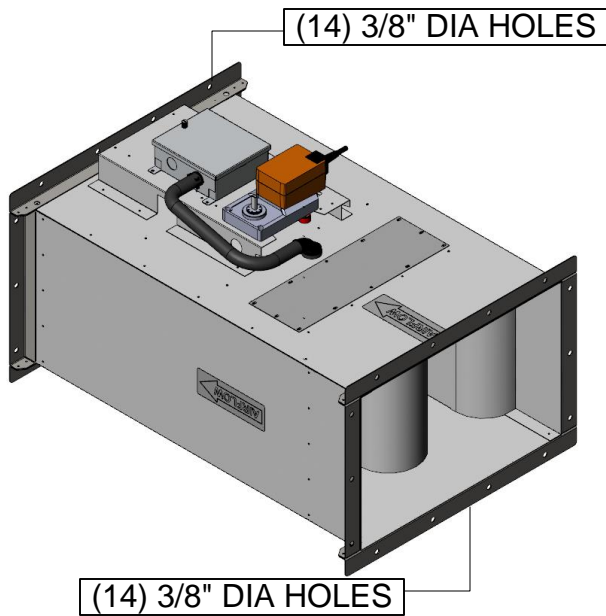


Flanges for Rectangular AccuValves®

The AccuValve® can be ordered from the factory with optional flanges by adding a “-F” suffix to the model code. This data sheet identifies the flange specifications for rectangular AccuValves® and is intended to be used in conjunction with the standard AccuValve® submittal documentation.

DIMENSIONS




Valve Size	“W”	Hole Dia
12x18	20 5/8"	3/8"
12x24	26 5/8"	3/8"
12x36	38 5/8"	3/8"
12x48	50 5/8"	3/8"

(28) 3/8" DIA HOLES PER VALVE

FLANGE MATERIAL & CONSTRUCTION

Flanges are constructed from 16 gauge steel. Aluminum valve housings use flanges that are constructed from galvanized steel and stainless steel valve housings use flanges that are constructed from the same type of stainless steel as the valve housing. Companion flanges, gaskets and hardware for field installation are not provided with the AccuValve®.

 21 COMMERCE DRIVE DANBURY CT, 06810 Tel: 203-445-9991	SUBMITTAL DRAWING			
	Flange Detail for Rectangular AccuValve®			
Sold By:				
THIS DOCUMENT IS SUBJECT TO CHANGE WITHOUT NOTICE.	SIZE A	FSCM NO	DWG NO FLANGE DETAIL – RECTANGULAR AV	REV E
THIS DOCUMENT OR THE CONTENTS THEREOF SHALL NOT BE MODIFIED WITHOUT PRIOR WRITTEN PERMISSION BY ACCUTROL LLC.	SCALE NTS	REV. DATE: 7-15-17	SHEET 1 OF 1	