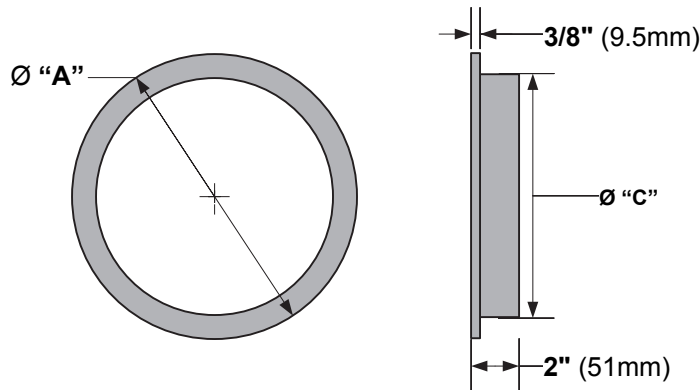


# Companion Flanges for Round AccuValve® Sizes

Companion flanges provide a simple means for installing any round AccuValve® purchased with the flange (-F) option into standard duct work. The Companion flanges are designed to slip directly inside common spiral duct for easy field installation. This data sheet provides the general specifications for round valve companion flanges and is intended to be used in conjunction with the standard AccuValve® submittal documentation.

## DIMENSIONS



SIZE (nominal)	"A" FLANGE O.D.		"C" NECK O.D.	
	inches	mm	inches	mm
6	7.63	194	5.87	149
8	9.68	246	7.87	200
10	11.68	297	9.87	251
12	13.68	347	11.87	301
14	15.68	398	13.87	325

## MODEL CODE

11-     -

SIZE (NOMINAL)	
6"	0277
8"	0278
10"	0279
12"	0280
14"	0281


MATERIAL	
02	304SS
03	316SS
04	ALUM

## SELECTING THE APPROPRIATE COMPANION FLANGE

The following examples are provided for selecting the appropriate Companion Flange based on the AccuValve model.

AccuValve Model #, Description	Select Companion Flange Model	Qty. Per Valve
AV312*-06-F, AccuValve, 6" dia., 304SS with Flanges	11-0277-02	2
AV314*-12-F, AccuValve, 12" dia., Alum. with Flanges	11-0280-04	2

**NOTE:** Two Companion Flanges are required for each AccuValve.

 600 Pepper Street Monroe, CT 06464 Tel: 203-445-9991	<b>SUBMITTAL DRAWING</b> <b>Companion Flange Detail for Round AccuValve®</b>			
	Sold By:			
THIS DOCUMENT IS SUBJECT TO CHANGE WITHOUT NOTICE.	SIZE <b>B</b>	FSCM NO	DWG NO COMP FLANGE DETAIL – ROUND AV	REV <b>B</b>
THIS DOCUMENT OR THE CONTENTS THEREOF SHALL NOT BE MODIFIED WITHOUT PRIOR WRITTEN PERMISSION BY ACCUTROL LLC.	SCALE NTS	REV. DATE: 03-11-16	SHEET <b>1 OF 1</b>	