

Insulation Option for AccuValves®

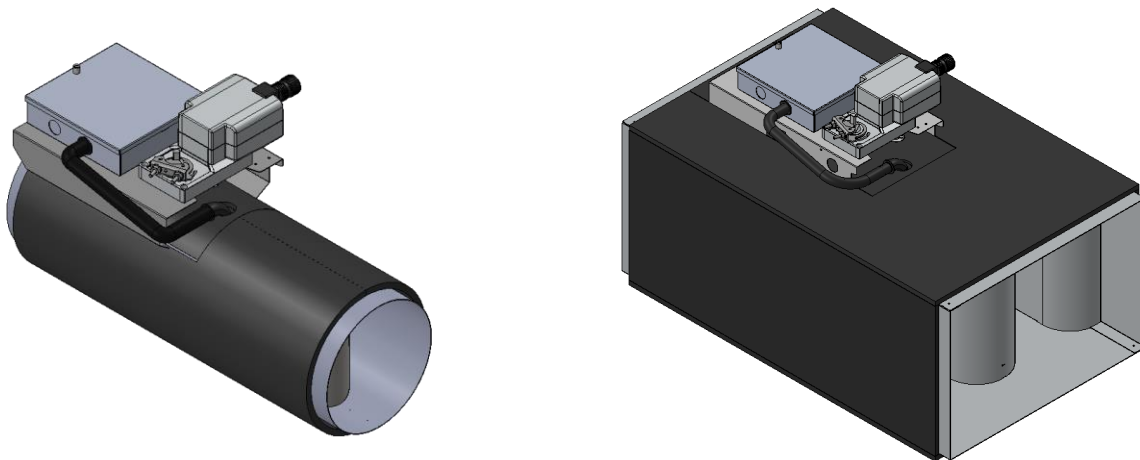
The AccuValve® can be ordered from the factory with optional insulation by adding a “-I” suffix to the model code. This data sheet provides a description of the insulation and is intended to be used in conjunction with the standard AccuValve® submittal documentation.

INSULATION TYPE

Product Name: AP Armaflex®
 Description: 3/8" thick black flexible closed-cell elastomeric thermal insulation
 Manufacturer: Armacell LLC

ROUND AND RECTANGULAR VALVES WITH INSULATION


Insulation is 1" from each end of valve
 Insulation is 3/8" thick



TECHNICAL DATA

Flame Spread and Smoke Developed Index:	25/50 rated	Test Method: ASTM E84, CAN/ULC S102
Mold Growth:	Passed	Test Method: UL18
Fungi Resistance:	Passed	Test Method: ASTM G21/C1338
Bacterial Resistance:	Passed	Test Method: ASTM G22

For additional information, reference AP Armaflex® Technical Data Sheet by Armacell LLC

 600 Pepper Street Monroe, CT 06464 Tel: 203-445-9991	SUBMITTAL DRAWING Insulation Option Detail for AccuValve®			
	Sold By:			
THIS DOCUMENT IS SUBJECT TO CHANGE WITHOUT NOTICE.	SIZE A	FSCM NO	DWG NO INSULATION DETAIL – AV	REV A
THIS DOCUMENT OR THE CONTENTS THEREOF SHALL NOT BE MODIFIED WITHOUT PRIOR WRITTEN PERMISSION BY ACCUTROL LLC.	SCALE NTS	REV. DATE: 5-5-17	SHEET 1 OF 1	