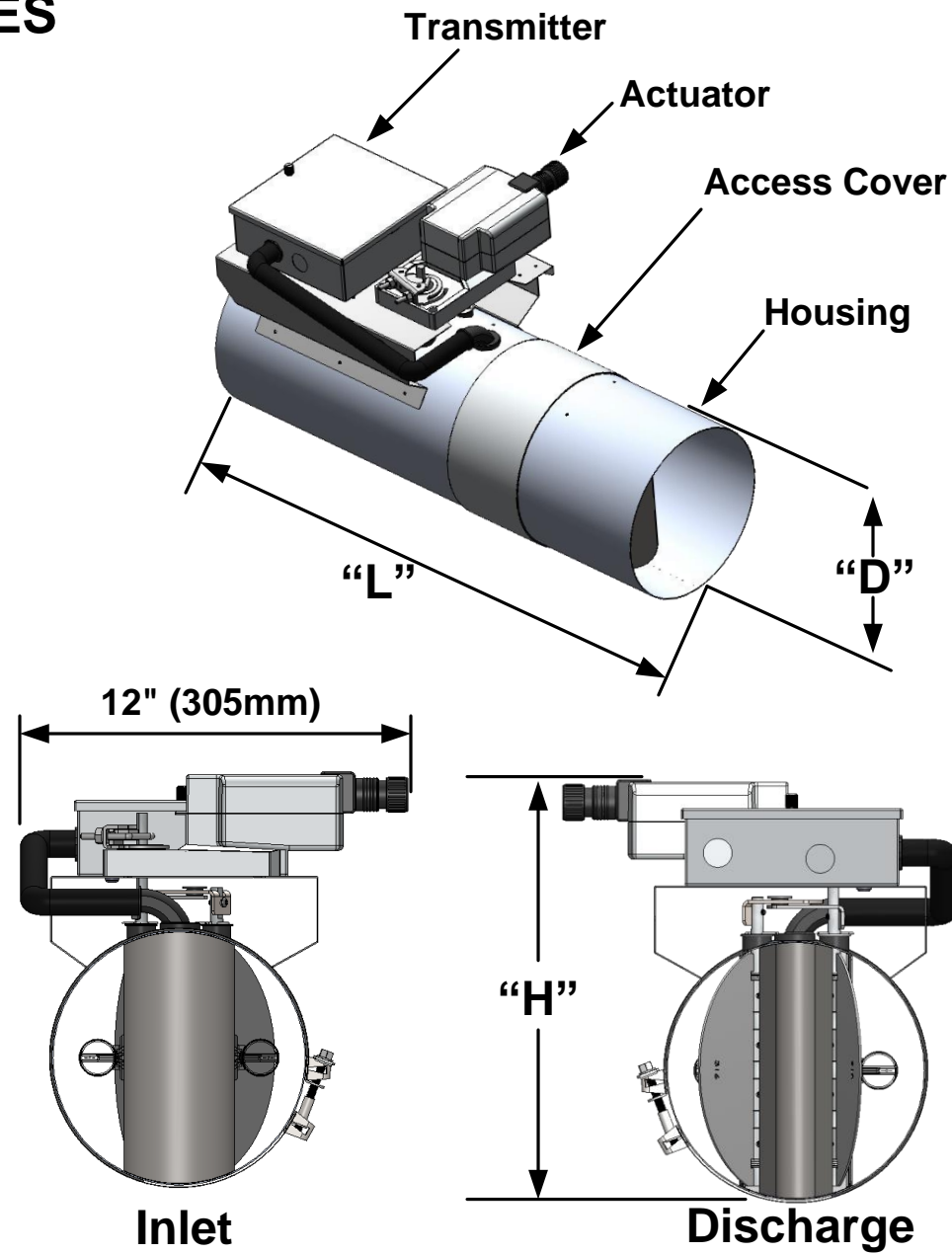


FIGURES



MODEL CODE

NOT FOR USE WITH PERCHLORIC ACID

AVT3 1 5 - - -

SHAPE
1 = Round

VALVE HOUSING MATERIAL
5 = PFA Coated 304SS, 20 Gauge

ACTUATOR
2 = FAIL LAST POSITION, 0-10V
3 = FAIL LAST POSITION, 2-10V
4 = FAIL OPEN/CLOSED, 0-10V
5 = FAIL OPEN/CLOSED, 2-10V

OPTIONS
BLANK = NO OPTIONS
A = ACCUNET
B = BACnet MS/TP

SIZE
08 = 8" Diameter
10 = 10" Diameter
12 = 12" Diameter
14 = 14" Diameter

MODEL CODE NOTES:
1. Actuator Type "4" and "5" factory default is set to "fail open".

MATERIALS

Materials Exposed to the Airstream	
Housing	PFA Coated, 304 Stainless Steel
Compression Section	PFA Coated, 304 Stainless Steel
Static Regain Section	PFA Coated, 304 Stainless Steel
End Plate	PFA Coated, 304 Stainless Steel
Blades	PFA Coated, 304 Stainless Steel
Shafts	PFA Coated, 316 Stainless Steel
Shaft Bearings	Teflon®
Vortex Sensors	Kynar® PVDF
Sensor Tubing	Viton Rubber
Compression Seals	Viton Rubber
Machine Screws	PFA Coated, 304 Stainless Steel
Rivets	PFA Coated, 304 Stainless Steel

OPERATING RANGE

Valve Model	Min. Flow Measured			Full Scale Range		
	CFM	L/S	CMH	CFM	L/S	CMH
AVT3150-08	80	38	136	800	378	1359
AVT3150-10	120	57	204	1300	613	2209
AVT3150-12	180	85	306	1790	845	3041
AVT3150-14	250	118	425	2750	1298	4672

SIZE & WEIGHT

Valve Model	Valve Dimensions						Weight			
	"D"		"L"		"H"		Stainless Steel		Aluminum	
	in.	mm	in.	mm	in.	mm	Lbs.	kg	Lbs.	kg
AVT3150-08	7.88	200	24	610	13	381	16	7.3	12	5.4
AVT3150-10	9.88	250	24	610	15	432	20	9.1	14	6.4
AVT3150-12	11.88	300	27	686	17	483	26	11.8	16	7.3
AVT3150-14	13.88	350	30	762	19	533	30	13.6	20	9.1

INSTALLATION INSTRUCTIONS

⚠ WARNING: Wear eye protection, protective gloves and clothing suitable for working with sheet metal which may have sharp edges.

1. Read all instructions prior to beginning installation.

NOTE: For detailed installation instructions, refer to the AVT3000 Installation & Operation Manual.

2. Verify the tag number located on the valve label matches the HVAC schedule.

3. Locate the duct section which the valve is servicing and select a suitable mounting location for the valve.

NOTE: The AccuValve® does not require straight inlet duct runs to operate properly, however it's always best to locate the valve away from transitions and bends to minimize impact on system static pressure. Also be sure to select a location that will provide a minimum clearance of 14 inches (356 mm) unobstructed access to the transmitter, actuator and valve access cover.

4. Provide an opening in the selected duct section sized appropriately for the valve being installed.

NOTE: A slip-fit valve will require an opening approximately 2" (50.8 mm) smaller than the valve length.

5. Install duct hangers within 12 inches (305 mm) from each end of the valve. Reference Sheet 1 for valve weights.

⚠ WARNING: Use duct hangers and hardware designed to support the total load of valve and associated duct sections. Failure to do so may result in serious personal injury or death.

6. Install the valve into the duct in accordance with the Airflow Direction Label located on the valve. Position the valve for easy access to the transmitter side then secure to duct per the appropriate Figure below.

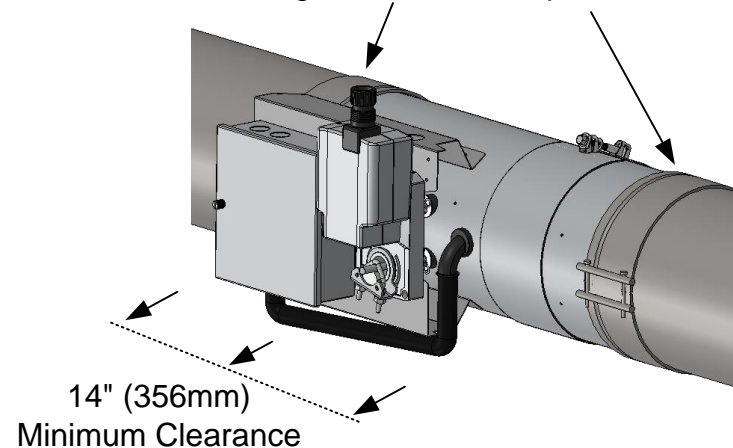
NOTE: Screws, nuts, fasteners, duct sealant, and hangers are not provided by Accutrol LLC.

Figure 2

Standard Slip-fit Valve Secured Using Draw Bands

(Draw Bands are Sold Separately)

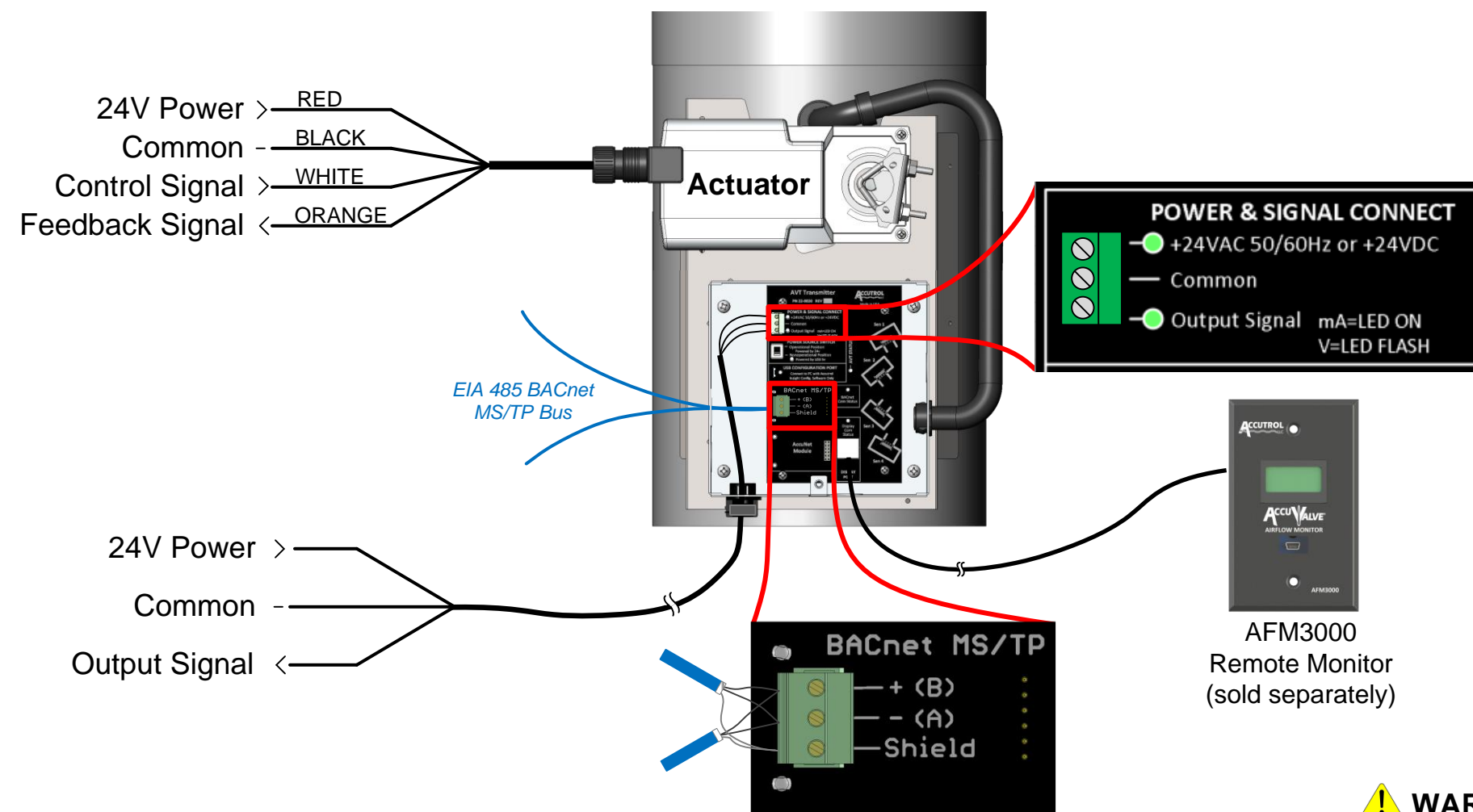
After sealing joints with appropriate type of tape, secure both ends using draw band clamps.



NOTE: Reference Accutrol Drawband Clamp Submittal Drawing for installation details.

⚠ CAUTION: Handle valve with care. Do not scratch the PFA coating on inside surfaces of valve and do not drive screws through valve housing.

WIRING INSTRUCTIONS



Transmitter and Actuator

Connect the power and signal wires to the Actuator and Transmitter per the diagram. For more details on the actuator, reference the actuator submittal drawing.

CAUTION: Maintain polarity if the power source is used to power multiple devices otherwise equipment may be damaged.

CAUTION: Do not use the transmitter enclosure as a junction box. The only wires entering the transmitter enclosure shall be wires connected to the transmitter otherwise equipment may be damaged.

Optional BACnet MS/TP Module

Connect the 2-wire EIA 485 BACnet MS/TP bus to the AVT3000 transmitter per the diagram. Network bias and EOL termination are not provided by the AVT3000.

Remote Monitor AFM3000 (Sold Separately)

Plug one end of the factory cable into the back of the remote monitor and plug the other end into the AVT3000 Display Port.

WARNING: During installation, testing, servicing and troubleshooting of this product, it may be necessary to work with live electrical components. This work shall be performed by a licensed electrician or qualified individual who has been properly trained in handling live electrical equipment. Failure to follow all electrical safety precautions when exposed to live electrical components may result in serious injury or death.

TRANSMITTER ELECTRICAL SPECIFICATIONS

Power Supply: 24 VAC +/- 20% 50/60 Hz, 4 VA max (8.5 VA max with remote monitor)
24 VDC +/- 10% 1.5 W max (3.5 W max with remote display)

Output Signal: 0-20mA, 4-20mA, 0-10V, 2-10V, 0-5V, or 1-5V (Software Config.)
12-bit Resolution
Capable of driving 1K-ohm load

Configuration Port: USB 2.0, Isolated, Micro B Connector

Power Source Switch: Selects alternate power source for configuration when main power is not available by drawing 5V from PC connected to USB config. port

BACnet MS/TP (Optional): EIA 485 2-wire BACnet MS/TP, Galvanically Isolated
Data Rates 9600, 19200, 38400, 57600, 76800 and 115200
1/8 Unit Load Receiver Input Impedance

Remote Monitor (Sold Separately): LCD, 2 lines x 8 characters with white LED backlight
Includes USB Configuration Port and Factory Cable

Terminal Plugs: 3-position, vertical pluggable, screw on top, wire size 12-30 AWG

ACTUATOR ELECTRICAL SPECIFICATIONS

For actuator specifications, reference the Actuator Drawing per table below.

AVT3150 Model	Actuator Type	Actuator Drawing #
AVT3152-xx	0-10V, Fail Last Position	20-0008
AVT3153-xx	2-10V, Fail Last Position	20-0009
AVT3154-xx	0-10V, Fail Open or Closed	20-0010
AVT3155-xx	2-10V, Fail Open or Closed	20-0011