

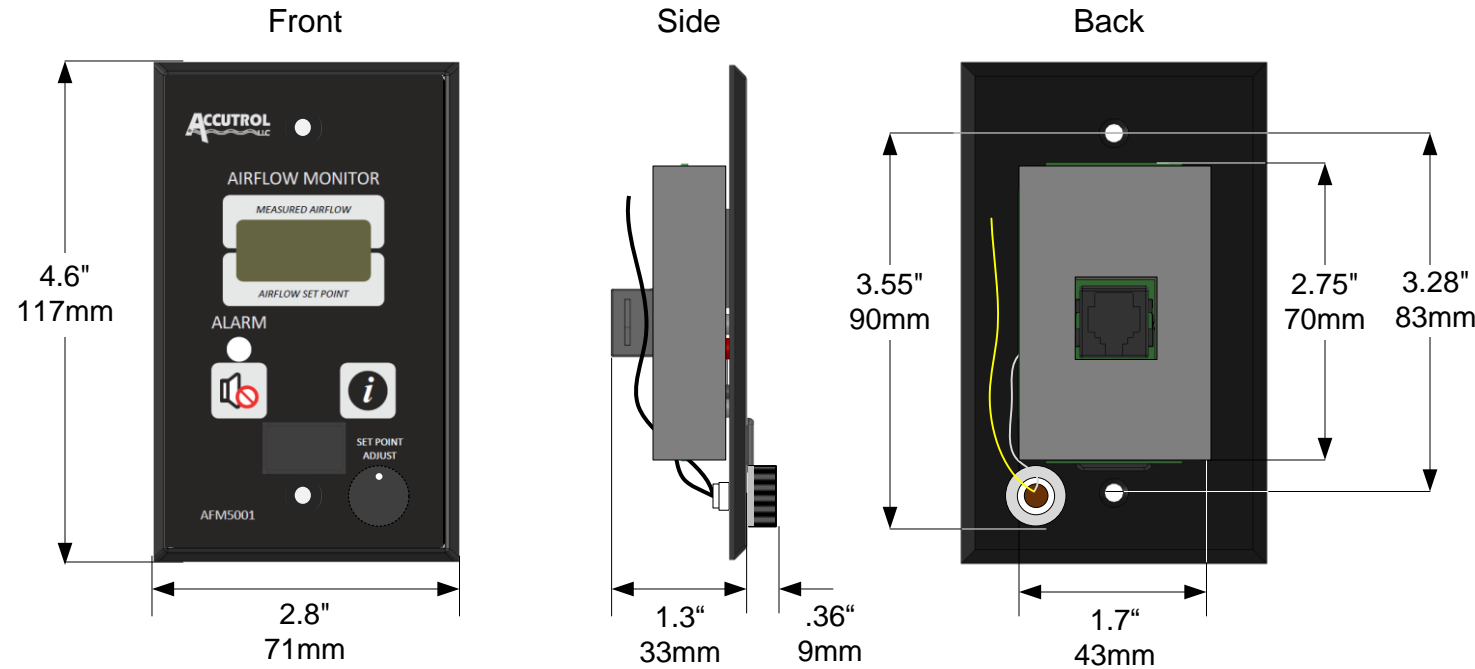
MODEL AFM5000

The AFM5000 Airflow Monitor connects directly to the AccuValve® Model AVC5000 to provide a local Airflow Volume Display and Alarm Indicator. The AFM5000 is provided with 2 mounting screws for securing to a standard single-gang electrical box and a prefabricated factory cable for connecting to the AccuValve® AVC5000 Control Module. The AFM5000 can also be provided with a set point adjustment potentiometer enabling the local operator to set the airflow volume set point.

AFM500□-□□□

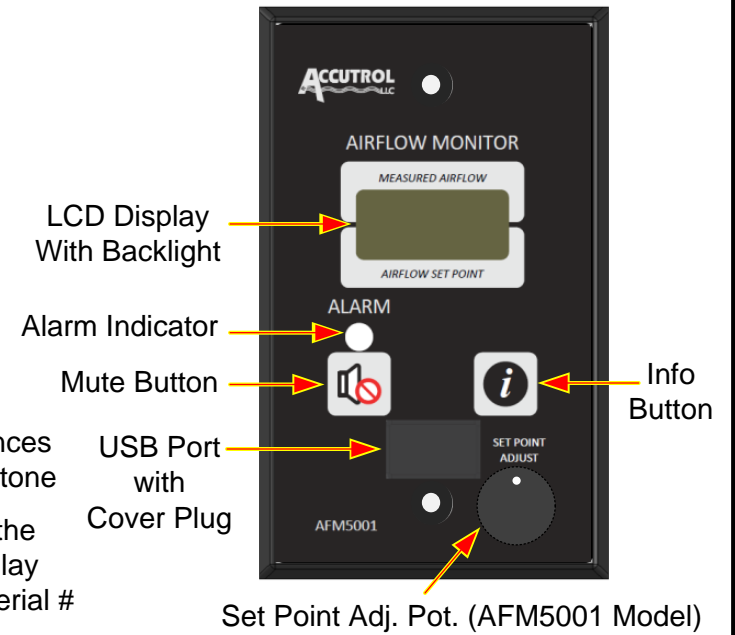
- Base Model = 0
- Integral Set Point Adjustment Potentiometer = 1
- 025 = 25' Plenum Rated Cable
- 050 = 50' Plenum Rated Cable
- 075 = 75' Plenum Rated Cable
- 100 = 100' Plenum Rated Cable

DIMENSIONS



FEATURES

- Display**
 - LCD; 2 lines x 8 characters with white LED backlight
 - Line 1 indicates measured airflow volume
 - Line 2 indicates airflow volume set point and provides informative messages
- Alarm Indicators**
 - LED; super bright red 655nm
 - LCD Line 2; provides message identifying alarm type
 - Audible Alarm Tone; 90dB @ 4KHz
- Mute Button**
 - When audible tone is on, pressing the Mute Button silences the tone, pressing the Mute Button again will return the tone
 - Press and hold the Mute Button to sequentially display the following Info on line 2; controller firmware version, display firmware version, device object ID, MAC address and serial #
- Info Button**
 - Press and hold both the Mute & Info Buttons simultaneously and the following Information will be sequentially displayed on line 2; valve position, operating mode and airflow volume set point
- Configuration Port**
 - USB type mini protected by removable rubber plug
 - Connect to PC with the AVC Insight Software
 - All configuration settings for the AFM5000 are programmed through the AVC Insight Software



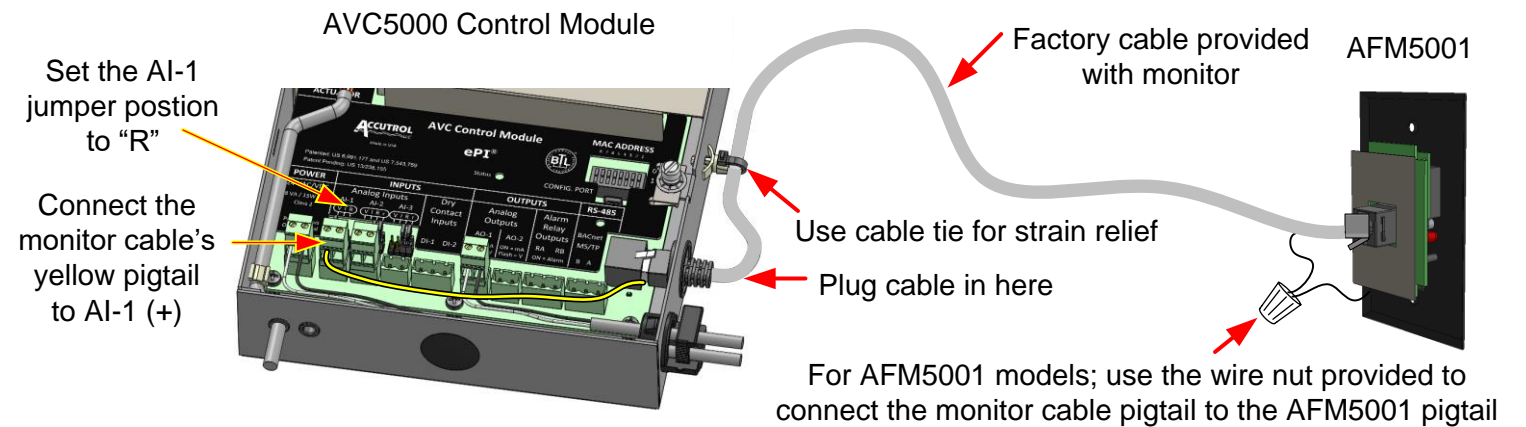
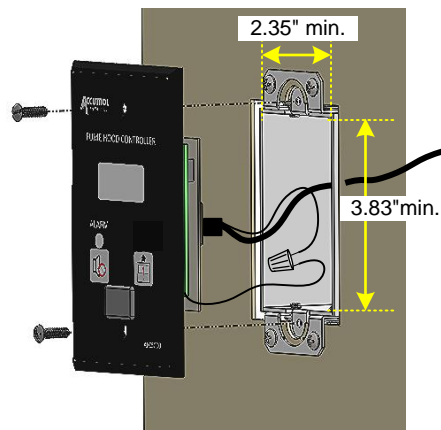
SPECIFICATIONS

- Electrical**
 - All Connections are Provided by the Prefabricated Factory Cable Provided with the AFM500x-xxx
- Temperature Range**
 - Operating: -4°F to +158°F (-20°C to +70°C)
 - Storage: -22°F to 176°F (-30°C to +80°C)
- Physical Construction**
 - Metal Plate with Continuous Vinyl Overlay which Provides Protection from Splashes
 - Mounting: Installs Directly into a Standard Single-gang Electrical Box

INSTALLATION

The AFM5000 is designed to be installed into a single-gang electrical box. For applications with the Set Point Adjustment (AFM5001) verify the electrical box's internal dimensions are a minimum of 3.825"h x 2.35"w to accommodate the potentiometer and additional wires.

1. Route the Monitor Cable into the back of the electrical box using a strain relief fitting to prevent the cable assembly from being damaged.
2. Plug the Monitor Cable into the connector located on the back of the AFM5000.
 - For AFM5001 models with Set Point Adjustment ; use the wire nut provided to connect the AFM5001's yellow pigtail to the Monitor Cable's yellow pigtail.
3. Secure the AFM5000 to the electrical box using the two screws provided.
4. Route the Monitor Cable to the AVC5000 Control Module and connect per the figure shown on the right. (AFM5001-xxx shown)



DWG. NO:	AFM5000 SUBMITTAL DWG		
REVISION:	D	ECN:	2362
REV. DATE:	4-10-18	SHEET:	1 OF: 1